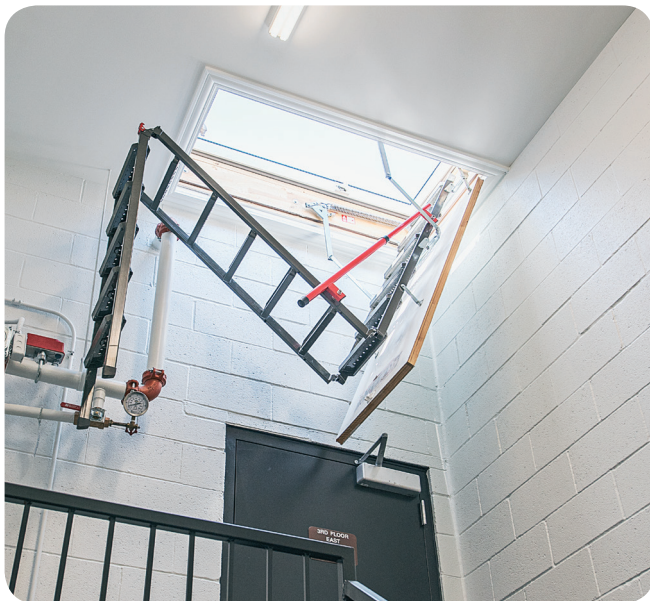


TECHNICAL SPECIFICATION



Features:

- suitable for roof pitches between 0-5 degrees
- hatch R-value of 8.33
- the sash can be opened up to 60°
- sound reduction index Rw 30 dB
- anti-slip tape on the base ensures safe access to the flat roof
- option to install an additional ZBR lock which protects against accidental closure of the sash
- DRL 27 1/2" x 59 1/2" can be combined with LML folding ladder to create complete roof access solution

Flat roof hatch DRL



I. APPLICATION

Installation	required roof pitch 0° - 5°
	deck mounted

II. FEATURES

Frame structure	multi-chamber PVC profile filled with insulation material (Polystyrene)
Sash	white PVC inner panel, 44mm XPS insulation board, External sash cover: aluminum sheet in RAL 7022 color
Termination Bar	included with installation hardware
Opening method	manually, up to an angle of 60°
Warranty	5 years

III. TECHNICAL PARAMETERS

Technical parameters	Glazing unit type		Harmonised standards
	[BTU/h ft²F]		
R-value	8.3		EN 14351-1:2006+A2:2016
Wind load resistance	Class C5/B5		
Impact resistance	Class 5 - 950 mm		

IV. OPTIONAL ACCESSORIES

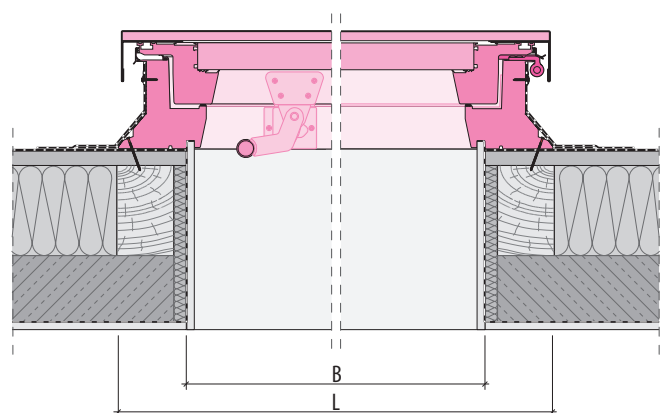
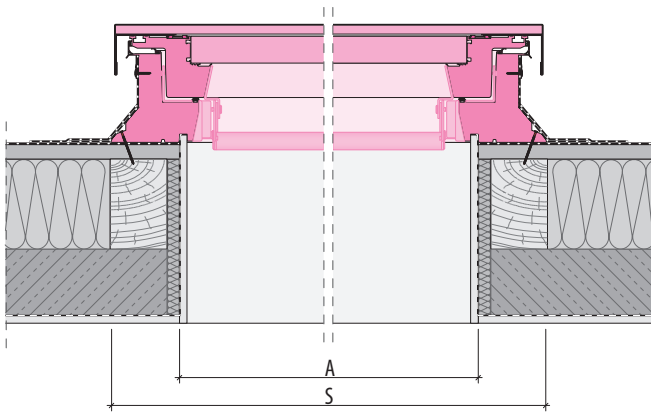
Roof access folding ladders	LML 27 1/2 x 51 for ceiling height 8'4"-10'3" LML 27 1/2 x 47 for ceiling height 7'8"-9'2"
Mounting accessories	- the XRD/W installation base allows raising the roof hatch by 6 inches. Maximum three bases XRD/W can be joined.

V. DIMENSIONS				
Size		30" x 30"	30" x 36"	36" x 36"
Rough opening (AxB)	in.	29 ⁷ / ₈ x 29 ⁷ / ₈	29 ⁷ / ₈ x 34 ³ / ₄	34 ³ / ₄ x 34 ³ / ₄
Outside frame (SxL)	in.	39 ³ / ₄ x 39 ³ / ₄	39 ¹ / ₄ x 44 ¹ / ₈	44 ¹ / ₈ x 44 ¹ / ₈

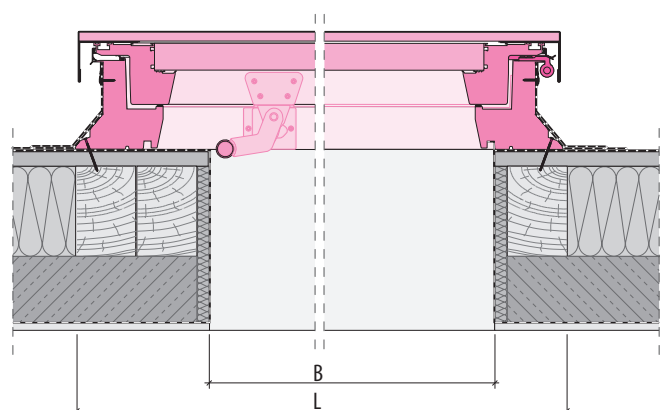
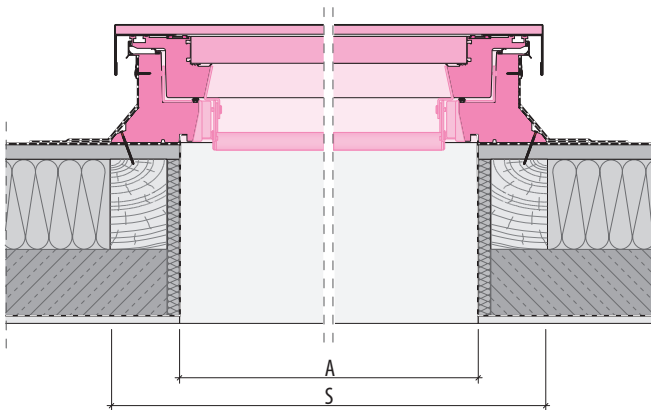
SPECIAL SIZE			
27 ¹ / ₂ " x 59 ¹ / ₂ "	Single installation	Combined with LML 27 ¹ / ₂ " x 51"	Combined with LML 27 ¹ / ₂ " x 47"
27 ¹ / ₂ x **	27 ¹ / ₂ x 59 ¹ / ₂ or 27 ¹ / ₂ x 51	27 ¹ / ₂ x 51	27 ¹ / ₂ x 47
35 ³ / ₈ x 68 ⁷ / ₈			

** Length of the rough opening will depend on installation configuration

Sizes: 30" x 30", 30" x 36", 36" x 36"



Special size DRL 27¹/₂" x 59¹/₂" with R.O. 27¹/₂" x 51" to create a step on a roof surface



FAKRO America LLC
39 W. Factory Road, Addison, IL
Ph: 630-543-1010 / office@fakrousa.com