

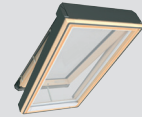
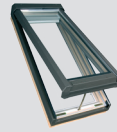
## TECHNICAL SPECIFICATION



### Features:

- suitable for roof pitches between 15-85 degrees
- low-emission and heat-reflecting double glazed glass
- warm spacer increases condensation resistance
- perimeter gasket underneath the frame
- double seals between the frame and the sash
- internal gasket system to collect and drain any condensation water to the outside
- mosquito screen included
- integrated rain sensors
- remote control included
- range of internal and external accessories
- equipped with a Z-wave radio control system, allowing for smart home system integration

### Electric Venting Skylight FVE



#### I. APPLICATION

Installation	required roof pitch 15°-85°
	deck mounted

#### II. FEATURES

Frame material	Pine - Pressure Treated
Frame finish	Two layers of clear acrylic lacquer
Glazing	G31 - Low-E tempered over laminated - double-pane glazing unit with warm TGI spacer and Argon gas
Rain sensor	Automatically closes the skylight in case of rain
Gaskets System	Three rubber gaskets
Control	Remote control (z-wave radio communication)
Warranty	10 years for skylight and glazing, 2 years on electric motor and remote control

#### III. TECHNICAL PARAMETERS

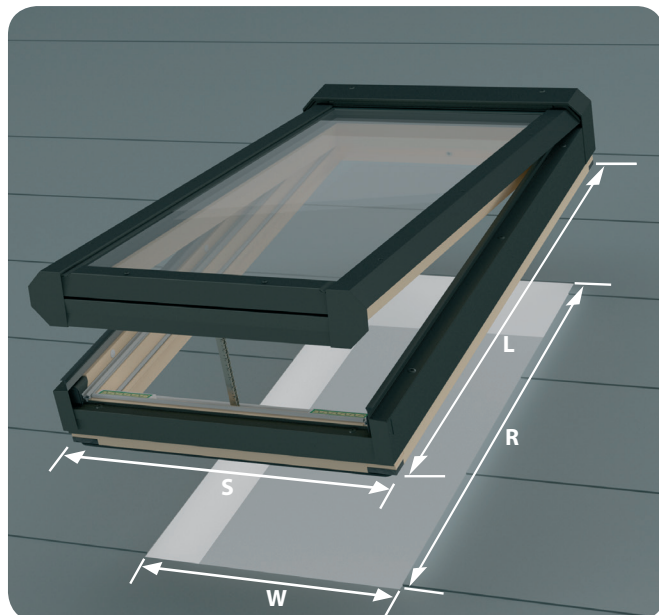
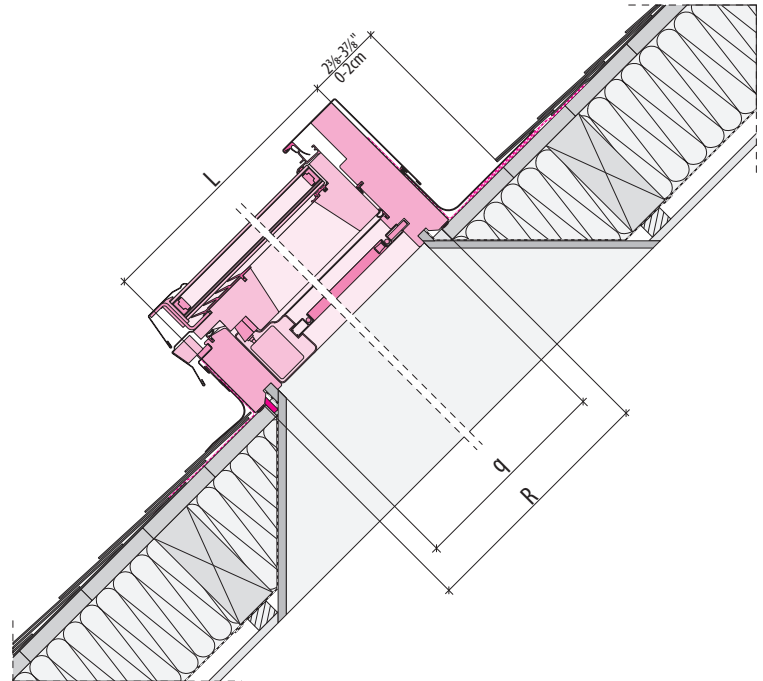
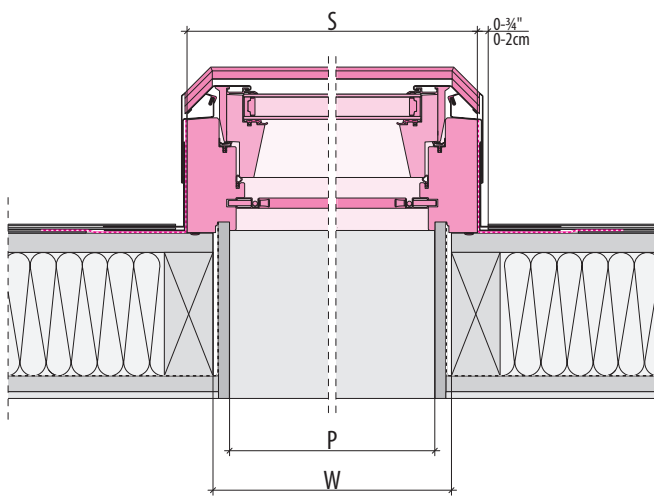
Technical parameters	Glazing unit type	
	Unit	G31
U-factor	[BTU/h ft²F]	0.41
Ug for glazing unit	[BTU/h ft²F]	0.19
Solar Heat Gain Coefficient	-	0.19
Air Leakage	[cfm/ft²] @ 1,57 psf, tested size 24x70	0.04
Visible Transmittance	-	0.36
UV protection	-	99.8
Condensation Resistance	-	65
Water Penetration Resistance Test Pressure	[Pa]	730
Wind load resistance	Class C1/B1	
Impact resistance	Class 3 – 450 mm	

#### IV. ADDITIONAL PRODUCTS TO BE USED

Flashings	- EH - for roof tiles, corrugated metal and standing seam - EL - for shingles and shakes
Ice and Water Guard	- Fakro Euroband or similar self adhesive underlayment
Included mounting accessories	- Bit PZ2 50mm length - Bit PZ3 50 mm length - Nail 2,5x25mm - Base pin - Countersunk head screw 4x30 A2 RAL 7022 - Countersunk head screw 6x200 galvanized PZ3
External accessories	- SMZ solar awning blind
Internal accessories	- SRF blackout blind, SRP light reducing blind

V. DIMENSIONS

Size		301	304	306	308	312	504	506	508	801	806
Rough opening (WxR)	in.	20 <sup>7</sup> / <sub>8</sub> x 27	20 <sup>7</sup> / <sub>8</sub> x 38	20 <sup>7</sup> / <sub>8</sub> x 45 <sup>7</sup> / <sub>8</sub>	20 <sup>7</sup> / <sub>8</sub> x 54 <sup>1</sup> / <sub>2</sub>	20 <sup>7</sup> / <sub>8</sub> x 70 <sup>3</sup> / <sub>8</sub>	29 <sup>7</sup> / <sub>8</sub> x 38	29 <sup>7</sup> / <sub>8</sub> x 45 <sup>7</sup> / <sub>8</sub>	29 <sup>7</sup> / <sub>8</sub> x 54 <sup>1</sup> / <sub>2</sub>	44 <sup>1</sup> / <sub>8</sub> x 27	44 <sup>1</sup> / <sub>8</sub> x 45 <sup>7</sup> / <sub>8</sub>
	mm	530 x 685	530 x 965	530 x 1165	530 x 1385	530 x 1787	760 x 965	760 x 1165	760 x 1385	1120 x 685	1120 x 1165
Outside frame (SxL)	in.	23 x 27 <sup>3</sup> / <sub>4</sub>	23 x 38 <sup>7</sup> / <sub>8</sub>	23 x 46 <sup>3</sup> / <sub>4</sub>	23 x 55 <sup>3</sup> / <sub>8</sub>	23 x 71 <sup>3</sup> / <sub>16</sub>	32 <sup>1</sup> / <sub>8</sub> x 38 <sup>7</sup> / <sub>8</sub>	32 <sup>1</sup> / <sub>8</sub> x 46 <sup>3</sup> / <sub>4</sub>	32 <sup>1</sup> / <sub>8</sub> x 55 <sup>3</sup> / <sub>8</sub>	46 <sup>1</sup> / <sub>4</sub> x 27 <sup>3</sup> / <sub>4</sub>	46 <sup>1</sup> / <sub>4</sub> x 46 <sup>3</sup> / <sub>4</sub>
	mm	585 x 706	585 x 986	585 x 1186	585 x 1406	585 x 1808	815 x 986	815 x 1186	815 x 1406	1175 x 706	1175 x 1186
Daylight area (glass)	sq. ft.	2.37	3.64	4.54	5.54	7.37	5.62	7.03	8.57	5.68	10.91
	m <sup>2</sup>	0.22	0.34	0.42	0.52	0.69	0.52	0.65	0.80	0.53	1.01
Finished opening (pxq)	in.	20 <sup>7</sup> / <sub>8</sub> x 24 <sup>7</sup> / <sub>8</sub>	20 <sup>7</sup> / <sub>8</sub> x 35 <sup>7</sup> / <sub>8</sub>	20 <sup>7</sup> / <sub>8</sub> x 43 <sup>3</sup> / <sub>4</sub>	20 <sup>7</sup> / <sub>8</sub> x 52 <sup>3</sup> / <sub>8</sub>	20 <sup>7</sup> / <sub>8</sub> x 68 <sup>1</sup> / <sub>8</sub>	28 <sup>7</sup> / <sub>8</sub> x 35 <sup>7</sup> / <sub>8</sub>	28 <sup>7</sup> / <sub>8</sub> x 43 <sup>3</sup> / <sub>4</sub>	28 <sup>7</sup> / <sub>8</sub> x 52 <sup>3</sup> / <sub>8</sub>	44 <sup>7</sup> / <sub>8</sub> x 24 <sup>7</sup> / <sub>8</sub>	44 <sup>7</sup> / <sub>8</sub> x 43 <sup>3</sup> / <sub>8</sub>



FAKRO America LLC  
39 W. Factory Road, Addison, IL  
Ph: 630-543-1010 / office@fakrousa.com