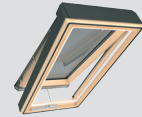


TECHNICAL SPECIFICATION



Manual Venting Skylight FV



I. APPLICATION

| | |
|--------------|-----------------------------|
| Installation | required roof pitch 15°-85° |
| | deck mounted |

II. FEATURES

| | |
|----------------|---|
| Frame material | Pine - Pressure Treated |
| Frame finish | Two layers of clear acrylic lacquer |
| Glazing | G31 - Low-E tempered over laminated - double-pane glazing unit with warm TGI spacer and Argon gas |
| Gaskets System | Three rubber gaskets |
| Control | Crank (included) or SZS control rod (not included) |
| Warranty | 10 years for skylight and glazing |

III. TECHNICAL PARAMETERS

| Technical parameters | Glazing unit type | |
|--|---|------|
| | Unit | G31 |
| U-factor | [BTU/h ft²F] | 0.41 |
| Ug for glazing unit | [BTU/h ft²F] | 0.19 |
| Solar Heat Gain Coefficient | - | 0.19 |
| Air Leakage | [cfm/ft²] @ 1.57 psf, tested size 24x70 | 0.06 |
| Visible Transmittance | - | 0.36 |
| UV protection | - | 99.8 |
| Condensation Resistance | - | 53 |
| Water Penetration Resistance Test Pressure | [Pa] | 730 |
| Wind load resistance | Class C1/B1 | |
| Impact resistance | Class 3 – 450 mm | |

IV. ADDITIONAL PRODUCTS TO BE USED

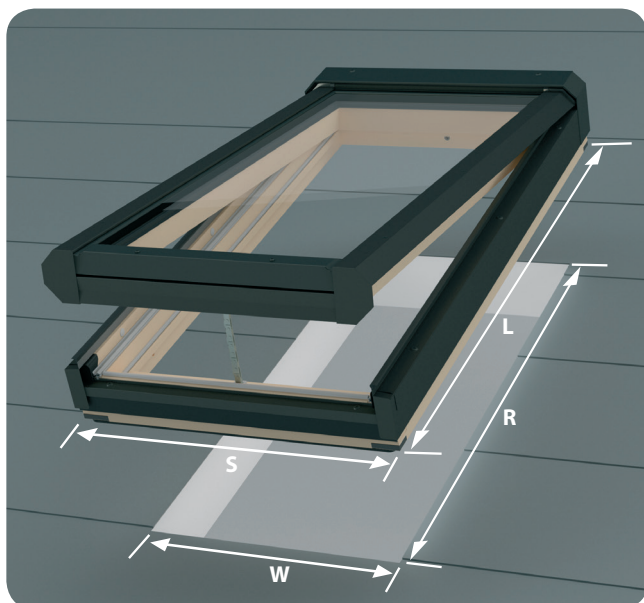
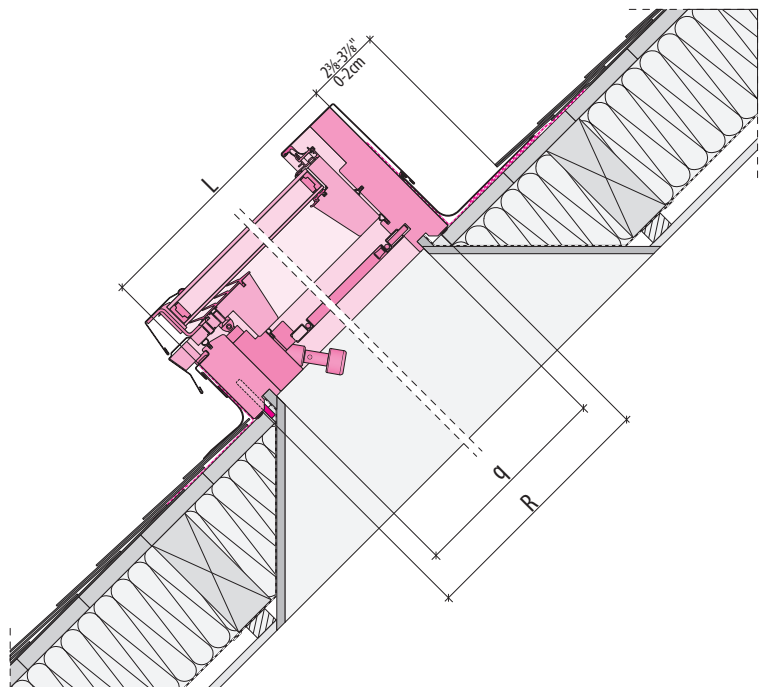
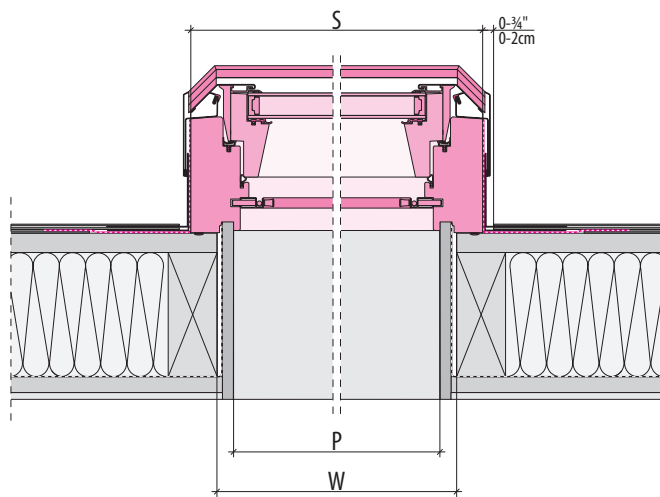
| | |
|-------------------------------|---|
| Flashings | - EH - for roof tiles, corrugated metal and standing seam - EL - for shingles and shakes |
| Ice and Water Guard | - Fakro Euroband or similar self-adhesive underlayment |
| Included mounting accessories | - Bit PZ2 50mm length - Bit PZ3 50 mm length - Nail 2,5x25 - Base pin - Countersunk head screws |
| External accessories | - SMZ solar awning blind |
| Internal accessories | - SRF blackout blind, SRP light reducing blind - Hex Ball adapter for control rod - SZS control rod |

Features:

- suitable for roof pitches between 15-85 degrees
- low-emission and heat-reflecting double glazed glass
- warm spacer increases condensation resistance
- perimeter gasket underneath the frame
- double seals between the frame and the sash
- mosquito screen included
- operated with a crank or a control rod
- range of internal and external accessories available
- internal gasket system to collect and drain any possible condensation water to the outside

V. DIMENSIONS

| Size | | 301 | 304 | 306 | 308 | 312 | 504 | 506 | 508 | 801 | 806 |
|------------------------|----------------|--|--|--|--|--|--|--|--|--|--|
| Rough opening (WxR) | in. | 22 ¹ / ₂ x26 ¹ / ₂ | 22 ¹ / ₂ x37 ¹ / ₂ | 22 ¹ / ₂ x45 ¹ / ₂ | 22 ¹ / ₂ x54 | 22 ¹ / ₂ x70 | 30 ¹ / ₂ x37 ¹ / ₂ | 30 ¹ / ₂ x45 ¹ / ₂ | 30 ¹ / ₂ x54 | 46 ¹ / ₂ x26 ¹ / ₂ | 46 ¹ / ₂ x45 ¹ / ₂ |
| Outside frame (SxL) | in. | 24 ¹ / ₂ x27 ¹ / ₂ | 24 ¹ / ₂ x38 ¹ / ₂ | 24 ¹ / ₂ x46 ³ / ₈ | 24 ¹ / ₂ x55 | 24 ¹ / ₂ x70 ³ / ₄ | 32 ¹ / ₂ x38 ¹ / ₂ | 32 ¹ / ₂ x46 ³ / ₈ | 32 ¹ / ₂ x55 | 48 ¹ / ₂ x27 ¹ / ₂ | 48 ¹ / ₂ x46 ³ / ₈ |
| Daylight area (glass) | sq. ft. | 2.58 | 3.98 | 4.95 | 6.03 | 7.97 | 5.70 | 7.10 | 8.61 | 5.92 | 11.41 |
| | m ² | 0.24 | 0.37 | 0.46 | 0.56 | 0.74 | 0.53 | 0.66 | 0.80 | 0.55 | 1.06 |
| Finished opening (pxq) | in. | 20 ⁷ / ₈ x24 ⁷ / ₈ | 20 ⁷ / ₈ x35 ⁷ / ₈ | 20 ⁷ / ₈ x43 ³ / ₄ | 20 ⁷ / ₈ x52 ³ / ₈ | 20 ⁷ / ₈ x68 ¹ / ₈ | 28 ⁷ / ₈ x35 ⁷ / ₈ | 28 ⁷ / ₈ x43 ³ / ₄ | 28 ⁷ / ₈ x52 ³ / ₈ | 44 ⁷ / ₈ x24 ⁷ / ₈ | 44 ⁷ / ₈ x43 ³ / ₄ |



FAKRO America LLC
39 W. Factory Road, Addison, IL
Ph: 630-543-1010 / office@fakrousa.com