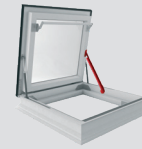


Features:

- suitable for roof pitches between 2-15 degrees
- sound reduction index Rw 38 dB
- the DRF roof access skylight is an energy-efficient, DU6 glazing unit with a Class P2A anti-burglary inner pane and a window U-factor= 0.23 BTU/h ft²F
- range of internal and external accessories available

TECHNICAL SPECIFICATION

Flat Roof Access Skylight DRF DU6



I. APPLICATION

Installation	required roof pitch 2° - 15°
	deck mounted

II. FEATURES

Frame structure	multi-chamber PVC profile insulated with polystyrene
Glazing	DU6 - triple pane passive glazing with warm spacers, argon gas and two low-E coatings. Tempered external and laminated internal glass.
Termination Bar	included aluminum profiles to secure roofing membrane into the skylight frame
Opening method	manually, up to an angle of 80°
Warranty	10 years for skylight and glazing, 2 years for gas springs
Door Hardware	gas springs to facilitate operation of the sash

III. TECHNICAL PARAMETERS

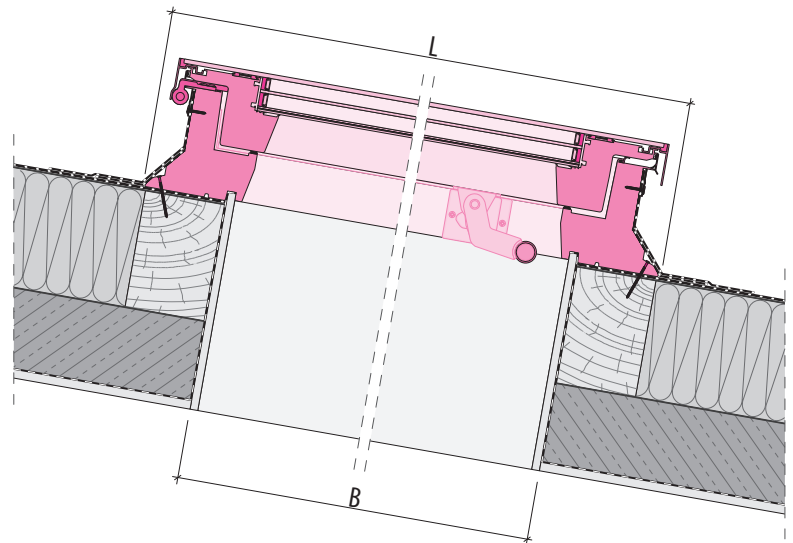
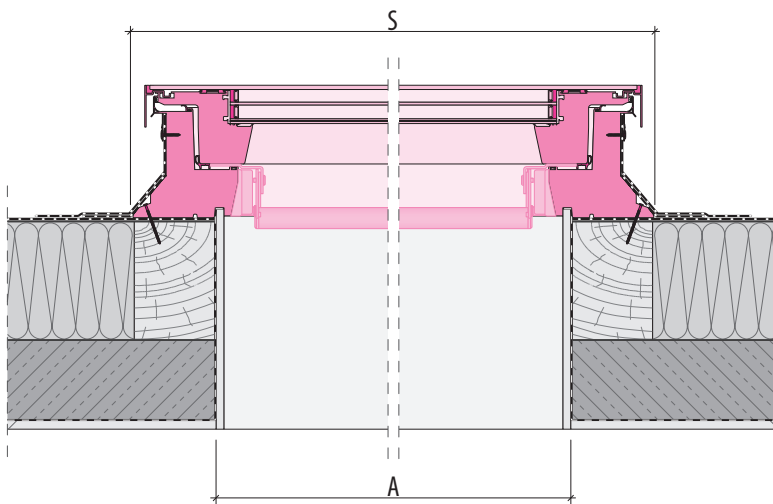
Technical parameters	Glazing unit type		Harmonised standards
	Unit	DU6	
U-factor for window	[BTU/h ft ² F]	0.23	NFRC 100
U-factor for glazing unit	[BTU/h ft ² F]	0.18	NFRC 100
SHGC		0.26	NFRC 200
Condensation resistance	-	70	NFRC 500
Visible transmittance	-	0.35	NFRC 200
Impact resistance	Class 5 - 950 mm		EN 14351-1:2006+A2:2016
Positive design pressure (DP)	3600 Pa (~75.19 psf)		NAFS 2011 / NAFS 2017
Negative design pressure (DP)	-3600 Pa (~-75.19 psf)		
Water penetration resistance test pressure	720 Pa (~15.04 psf)		
Canadian air infiltration/ exfiltration level	A3 Level (NAFS-11)/ A3 Level (NAFS-17)		

IV. OPTIONAL ACCESSORIES

Mounting accessories	- the XRD/W installation base allows raising the access roof light above the roof by 6". Maximum 3 bases can be joined.
External accessories	- AMZ/F Solar awning blind
Internal accessories	- ARF/D - APF/D pleated blinds

V. DIMENSIONS

Size		30" x 30"	30" x 36"	36" x 36"	36" x 48"	48" x 48"
Rough opening (AxB)	in.	29 ⁷ / ₈ x 29 ⁷ / ₈	29 ⁷ / ₈ x 34 ³ / ₄	34 ³ / ₄ x 34 ³ / ₄	34 ³ / ₄ x 46 ⁵ / ₈	46 ⁵ / ₈ x 46 ⁵ / ₈
Outside frame (SxL)	in.	39 ¹ / ₄ x 39 ¹ / ₄	39 ¹ / ₄ x 44 ¹ / ₈	44 ¹ / ₈ x 44 ¹ / ₈	44 ¹ / ₈ x 55 ⁷ / ₈	55 ⁷ / ₈ x 55 ⁷ / ₈



FAKRO America LLC
39 W. Factory Road, Addison, IL
Ph: 630-543-1010 / office@fakrousa.com