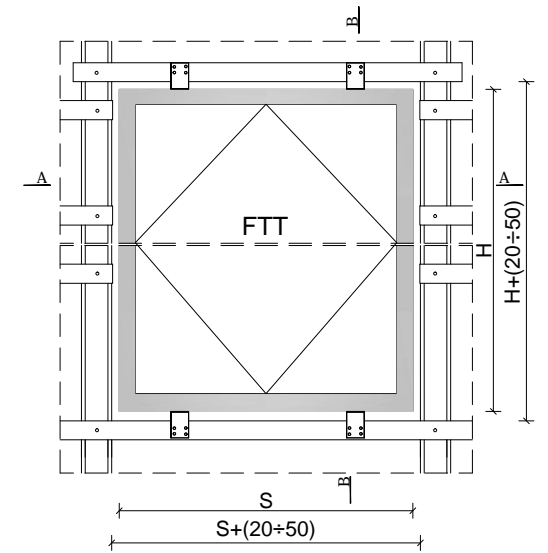
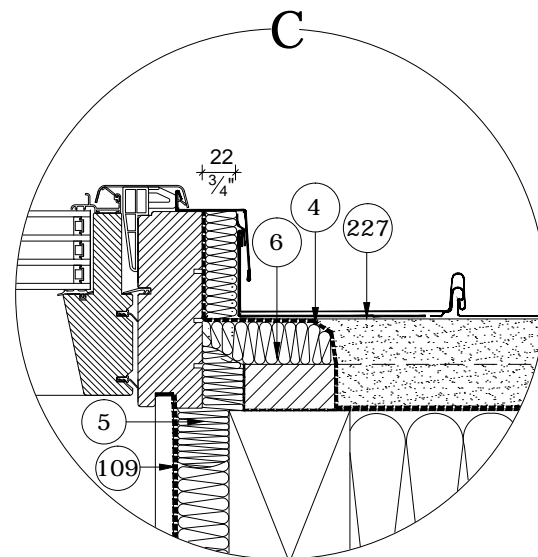
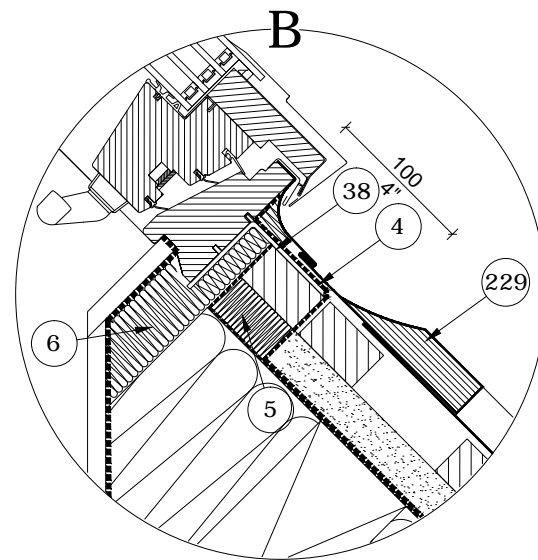
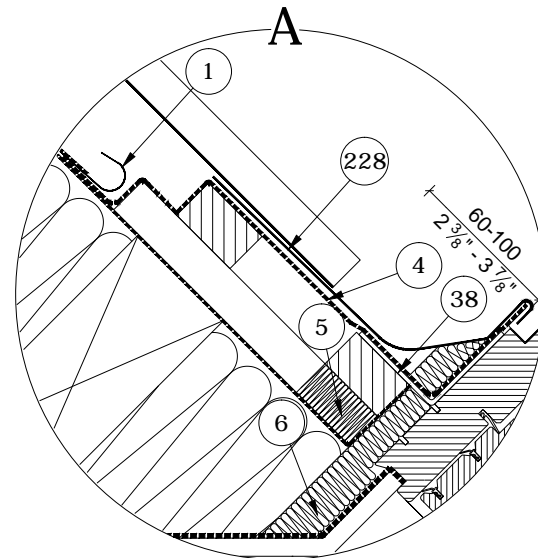
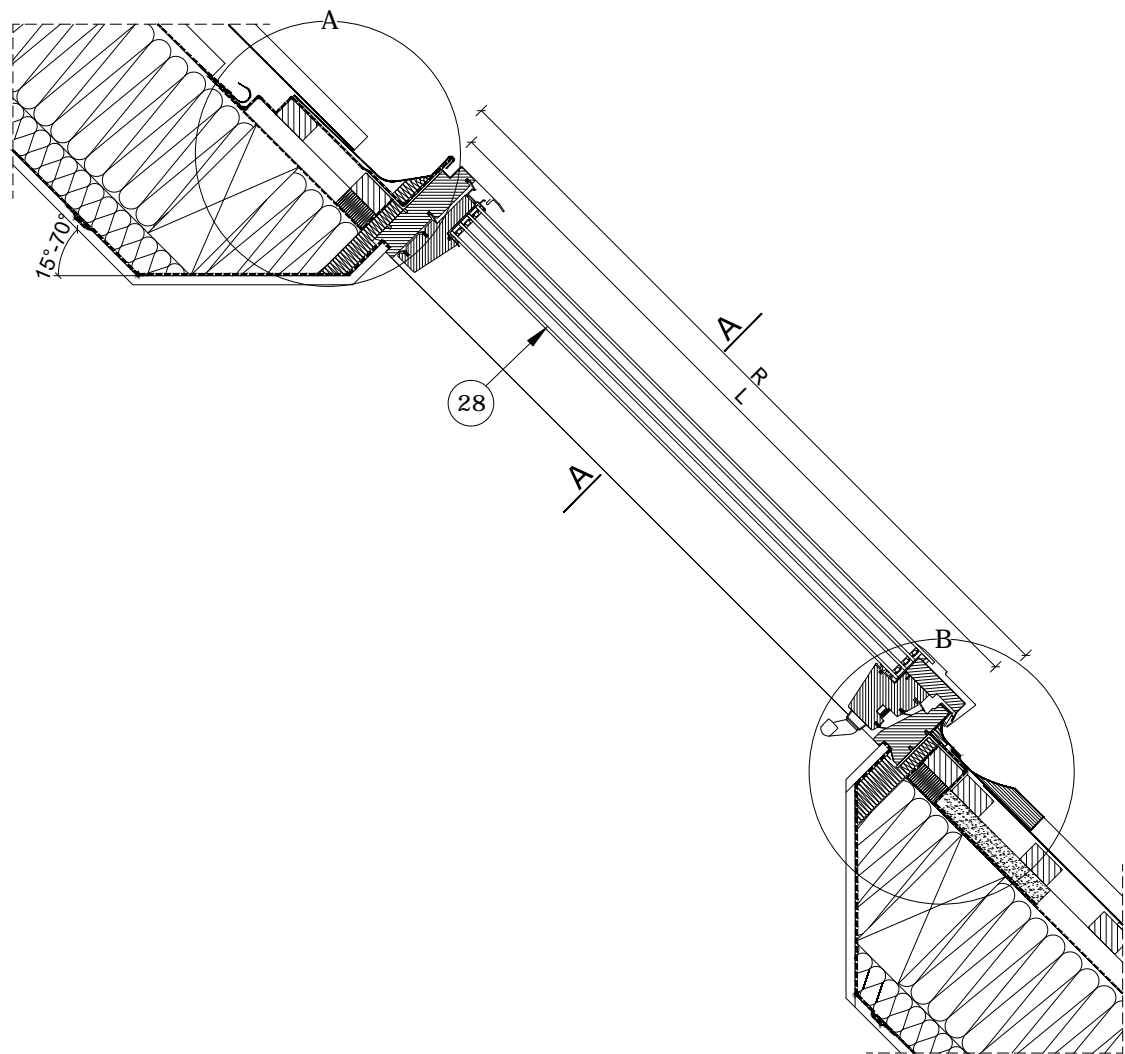
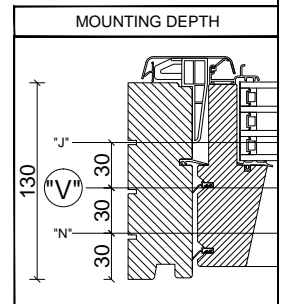
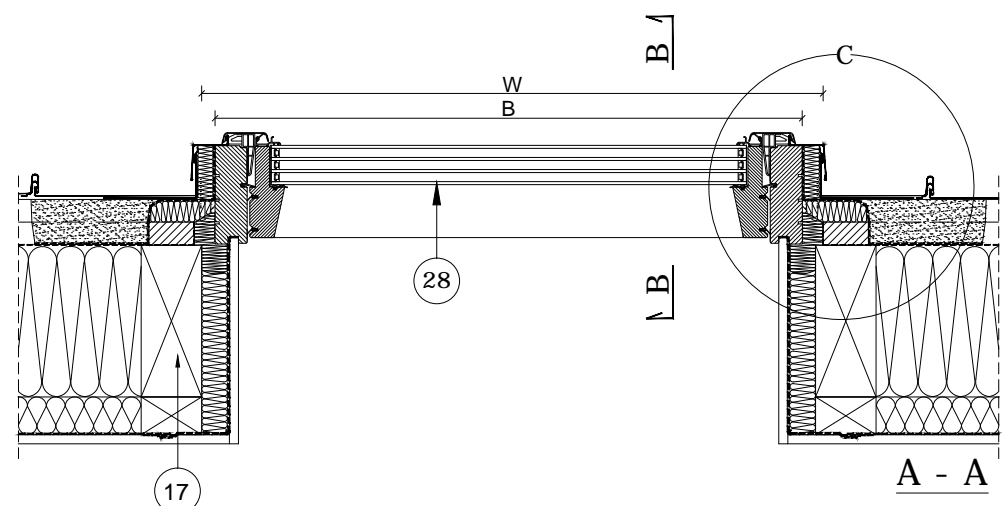
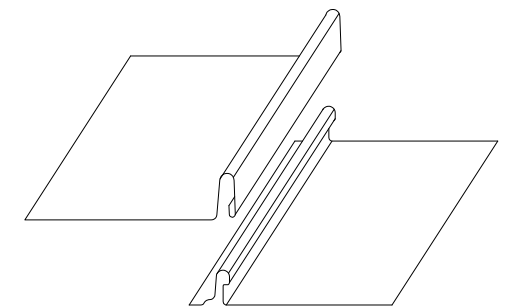


B - B



SEAMED SHEET



- 1-Water draining gutter FAKRO
- 4-XDP FAKRO vapour permeable collar
- 5-Tress made of sheep wool FAKRO (XDP)
- 6-Blocks made of sheep wool FAKRO (XDP)
- 17-Rafter
- 28-FTT FAKRO pivot window
- 38-Installation bracket
- 57-Vertical joining gutter FAKRO
- 109-XDS air-tight flashing FAKRO
- 227-EBV-AT THERMO flashing side element FAKRO
- 228-EBV-AT THERMO flashing upper element FAKRO
- 229-EBV-AT THERMO flashing lower element FAKRO

FTT U8 THERMO - DIMENSIONS

Window size[in]	B [in]	B [mm]	L [in]	L [mm]	Rough opening			
					W [in]	W [mm]	R [in]	R [mm]
30x46	30 3/4	777	46 1/2	1180	32 1/4	817	48	1220
30x55	30 3/4	777	55	1400	32 1/4	817	56 1/2	1440

	FTT U8	EBV-AT	SEAMED SHEET

Vertical and horizontal cross-section:
FTT U8 roof window with EBV-AT THERMO
flashing for flat tiled roofs (SEAMED SHEET)

FORMAT: A3
SCALE: 1:10/1:5
DATE: 02.2021

Warning! The present drawing is for informational-demonstrative purposes only and as such cannot constitute a basis for performance. All dimensions presented in this drawing should be verified on site. Because of the fact that the drawing is a schematic one, FAKRO shall not assume any responsibility for the actual installation quality on the roof. This drawing is FAKRO's property and cannot be published or used publicly without our written consent.